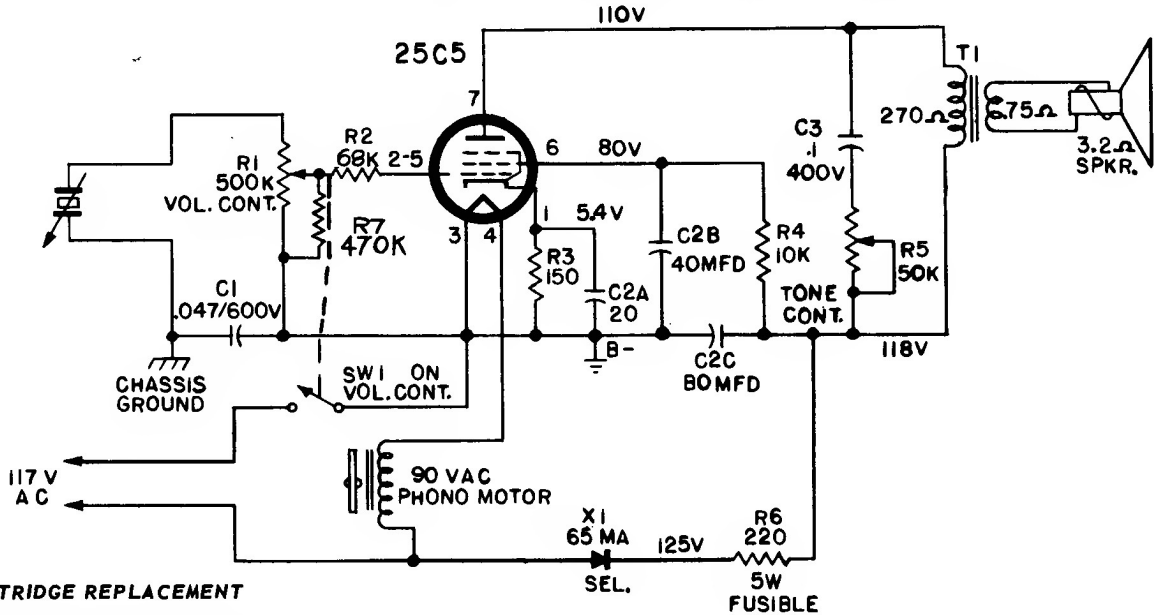


WESTINGHOUSE Chassis V-2508-13, Models H-85MP1, H-85MP2, H-85MP3



**CARTRIDGE REPLACEMENT**

1. Remove the knob retainer screw and turnover knob.
2. Pull the cartridge out from the tone arm. Remove the spring, washer, and push-on connectors.

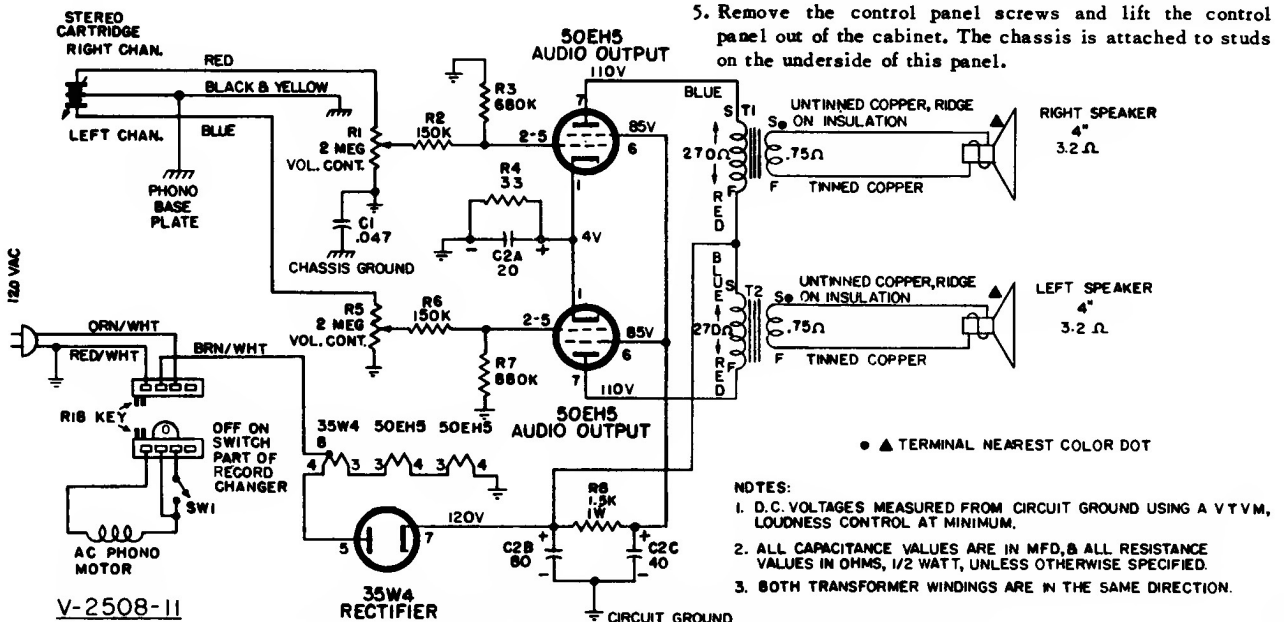
**CHASSIS REMOVAL**

1. Remove two nylon-head screws from bottom of cabinet base.
2. Remove turntable.
3. Remove two screws located underneath turntable.
4. Snap the edge of the motorboard out of the retaining grooves in the cabinet. Lift motorboard out of cabinet.

**CHASSIS REMOVAL**

1. Remove the tube service cover.
2. Remove the speaker compartment cover on the left side of the cabinet.
3. Remove the screws holding the motorboard. Lift the motorboard out of the cabinet.
4. Disengage the amp-loc from the changer. Unsolder the leads to the changer terminal board and the leads to the speakers.
5. Remove the control panel screws and lift the control panel out of the cabinet. The chassis is attached to studs on the underside of this panel.

CHASSIS V-2508-11, MODEL H-87ACS1



● ▲ TERMINAL NEAREST COLOR DOT

NOTES:

1. D.C. VOLTAGES MEASURED FROM CIRCUIT GROUND USING A V.T.V.M., LOUDNESS CONTROL AT MINIMUM.
2. ALL CAPACITANCE VALUES ARE IN MFD, & ALL RESISTANCE VALUES IN OHMS, 1/2 WATT, UNLESS OTHERWISE SPECIFIED.
3. BOTH TRANSFORMER WINDINGS ARE IN THE SAME DIRECTION.